

# **PARTS MANUAL**

**Models**

**EH41, EH36**

**ENGINES**

PUB-EP5728  
Rev. 5/99

# **Robin America, Inc.**

940 Lively Blvd. • Wood Dale, IL 60191 • Phone: 630-350-8200 • Fax: 630-350-8212  
e-mail: [sales@robinamerica.com](mailto:sales@robinamerica.com) • [www.robinamerica.com](http://www.robinamerica.com)

© Copyright 1999 Robin America, Inc.

## HOW TO USE THIS MANUAL

Robin engines are identified by MODEL, SPECIFICATION, and CODE NUMBER. For each model there may be many different versions called specifications. Each specification will be unique in some way. The difference may only be the paint color or it may have a different type of PTO or some other significant difference.

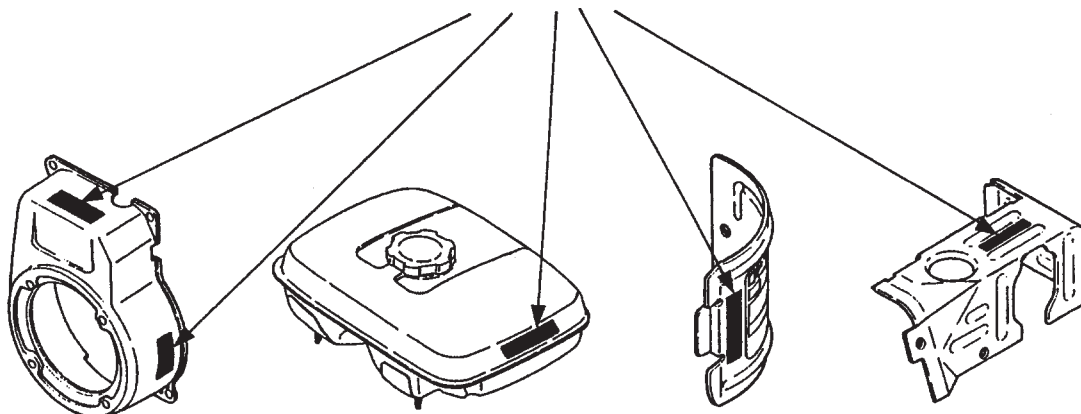
In order to identify the correct service part number, it is important to confirm the specification and code numbers for your engine. The specification and code number together are known as the PRODUCT NUMBER.

All Robin 4 cycle engines have a Product Number label similar to the label illustrated below.

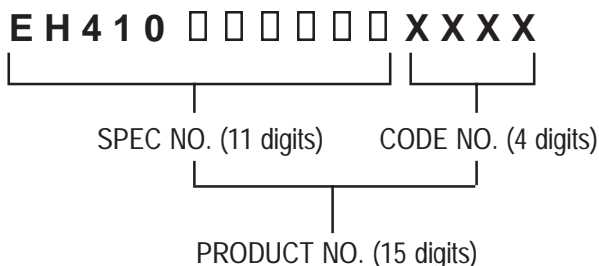
### PRODUCT NUMBER LABEL



### PRODUCT NUMBER LABEL LOCATIONS



The Product Number Label has a 15 digit alphanumeric string that consists of the SPECIFICATION (SPEC) number (11 digits) and the CODE number (4 digits). Please note the illustration below:



# MANUAL LAYOUT

**①** — SECTION 6    **FUEL GROUP**    **④**

**②** — FIG. 600

DETAIL A

---

**①** — SECTION 6    **FUEL GROUP**    **⑥** **⑦** **⑨** **②**

REF.	PART NO.	DESCRIPTION	QTY	REMARKS	FROM-TO	FIG.
<b>③</b>	10	267-60103-01	1	FUEL TANK CP	2101-	600
		267-60101-01	1	FUEL TANK CP	-2100	600
	27	073-20039-00	1	LABEL, WARNING		600
	30	043-04300-15	1	FUEL TANK CAP CP		600
	31	267-95201-03	1	LABEL, EMISSION		600
<b>⑤</b>	40	064-13600-10	1	FUEL FILTER		600
	50	064-20021-01	1	FUEL STRAINER AY		600
	-1	064-20002-20	1	FILTER		600
	-2	064-20002-30	1	GASKET		600
	-3	064-20019-10	1	CUP		600
<b>④</b>	-4	064-20003-20	1	NUT		600

1. SECTION NAME      Parts are broadly classified according to their functions. Refer to the Group Index (table of contents) for respective section name.
2. FIG. No.            The FIG. number indexes the reference and part numbers to the illustration. Figure numbers that vary only in the tens place (i.e.: 700 and 710) are in a group of the same section (i.e.: Electrical Device Group).
3. REF. No.            The Reference number identifies the part illustration with the corresponding part number in the part list.
4. SUBASSEMBLY      SUBASSEMBLY parts of part assembly are listed below the assembly part. The subassembly part reference number is indicated by the number led by "-" such as "-1", "-2".
5. PART NUMBER      It is the number assigned for sales unit. Use the PART No. when making an order.
6. DESCRIPTION      It is designation of the part.
7. QTY.                Quantity of each part used for each product.
8. REMARKS            This gives a distinctive feature and/or a supplementary comment for the type, the specification, and the part concerned. It also shows part number(s) interchangeable for the part.
9. FROM-TO            This section shows the CODE No. to indicate the history of progress in which improved parts have been introduced in the product. The FROM-TO CODE No. helps to identify PART No. being employed in the product concerned. See the examples below:
  - . . . . The part is used in the product irrespective of CODE No.
  - 2101- . . . . The part is used in the products with CODE No. of 2101 and after this number.
  - 2100 . . . . The part is used in the products with CODE No. of 2100 and before this number.

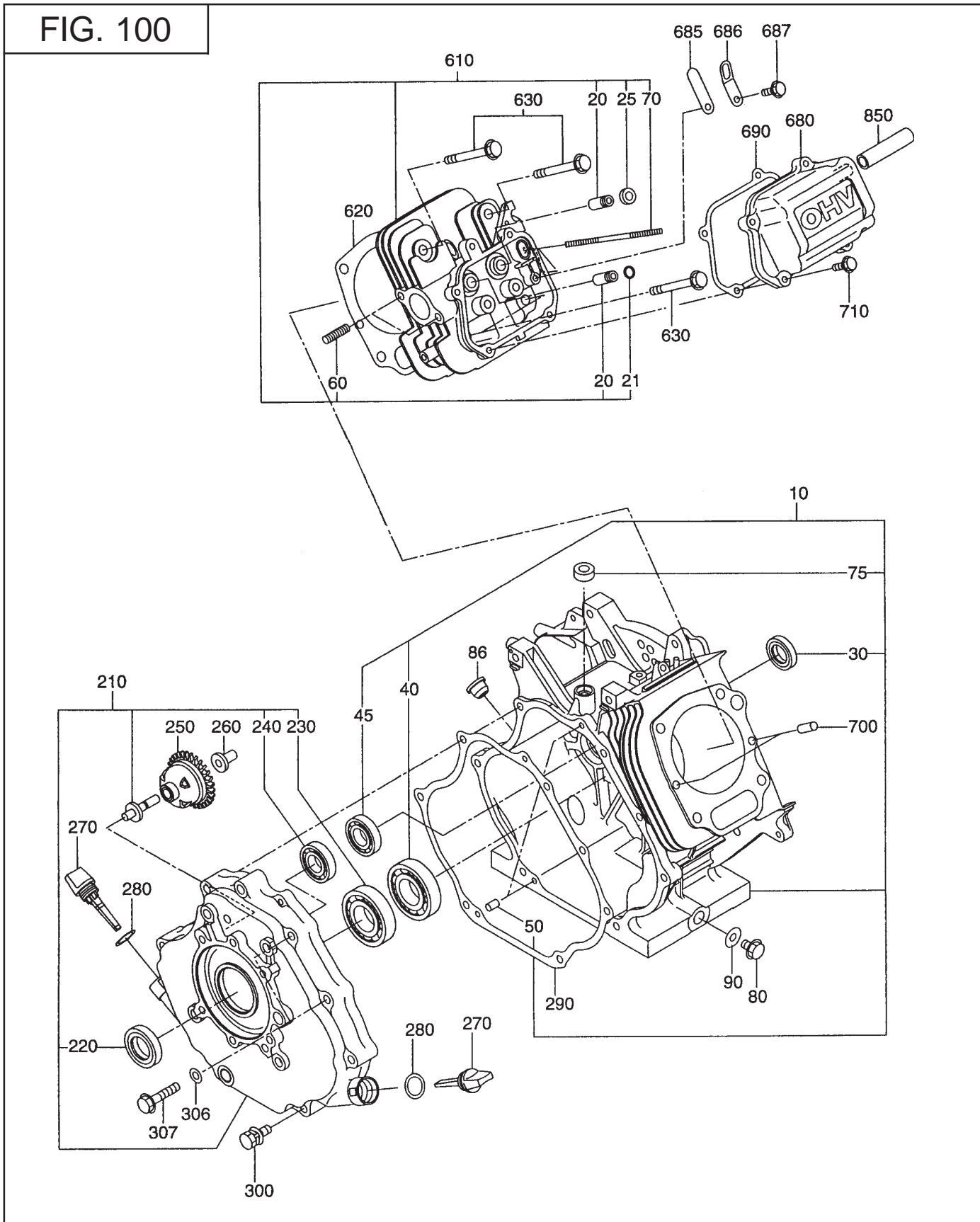
# GROUP INDEX

Group Name	Page
CRANKCASE GROUP .....	6
CRANKSHAFT GROUP .....	8
INTAKE and EXHAUST GROUP .....	10
GOVERNOR GROUP .....	12
COOLING and STARTING GROUP .....	14
FUEL GROUP .....	16
ELECTRIC DEVICE GROUP - RECOIL START .....	20
ELECTRIC DEVICE GROUP - ELECTRIC START .....	22
ELECTRIC DEVICE GROUP - ELECTRIC STARTER .....	24
ELECTRIC DEVICE GROUP - OIL SENSOR .....	26

INDEX OF DESCRIPTION SYMBOLS			
SYMBOL	DESCRIPTION	SYMBOL	DESCRIPTION
AY .....	ASSEMBLY	P= .....	PITCH (in mm)
CP .....	COMPLETE	P.T.O. (PTO) .....	POWER TAKE OFF
EX .....	EXPORT (from Japan)	REF. ....	REFERENCE
FIG. ....	FIGURE	R.H. (RH) .....	RIGHT HAND SIDE
FR. ....	FRONT	RR. ....	REAR
" .....	INCH	STD. ....	STANDARD
INCL. ....	INCLUDE	SW .....	SWITCH
-L .....	LITER	T= .....	THICKNESS (in mm)
L= .....	LENGTH (in. mm)	UN .....	UNIT
L.H. (LH) .....	LEFT-HAND SIDE	U.S. ....	UNDER SIZE
MECH .....	MECHANICAL	~V .....	VOLTAGE
NO (NON) .....	NONE	~W .....	WATT
OPT. ....	OPTIONAL	W/ .....	WITH
O.S. ....	OVER SIZE	W/O .....	WITHOUT

SECTION 1 CRANKCASE GROUP

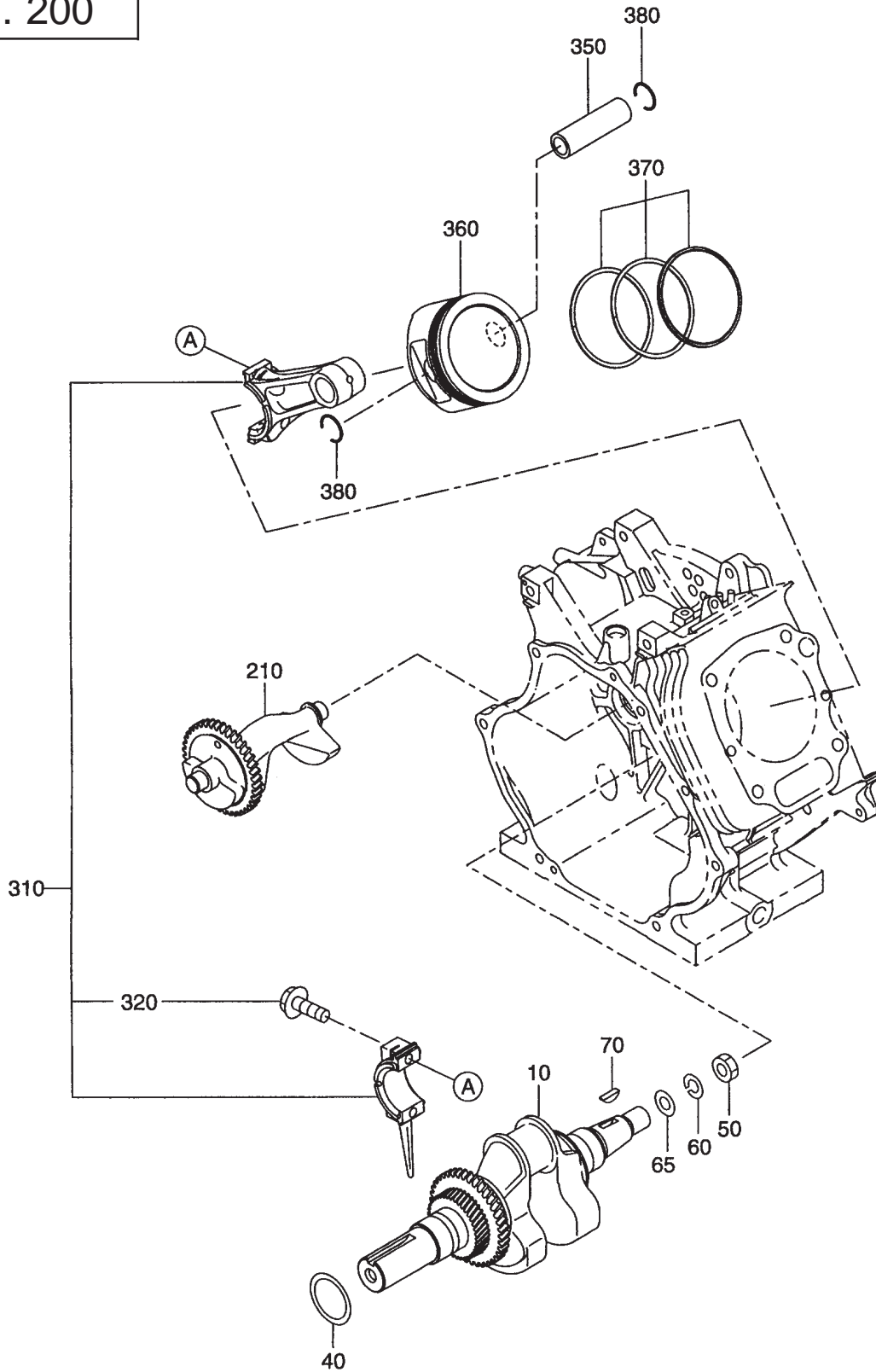
FIG. 100





SECTION 2 CRANKSHAFT GROUP

FIG. 200

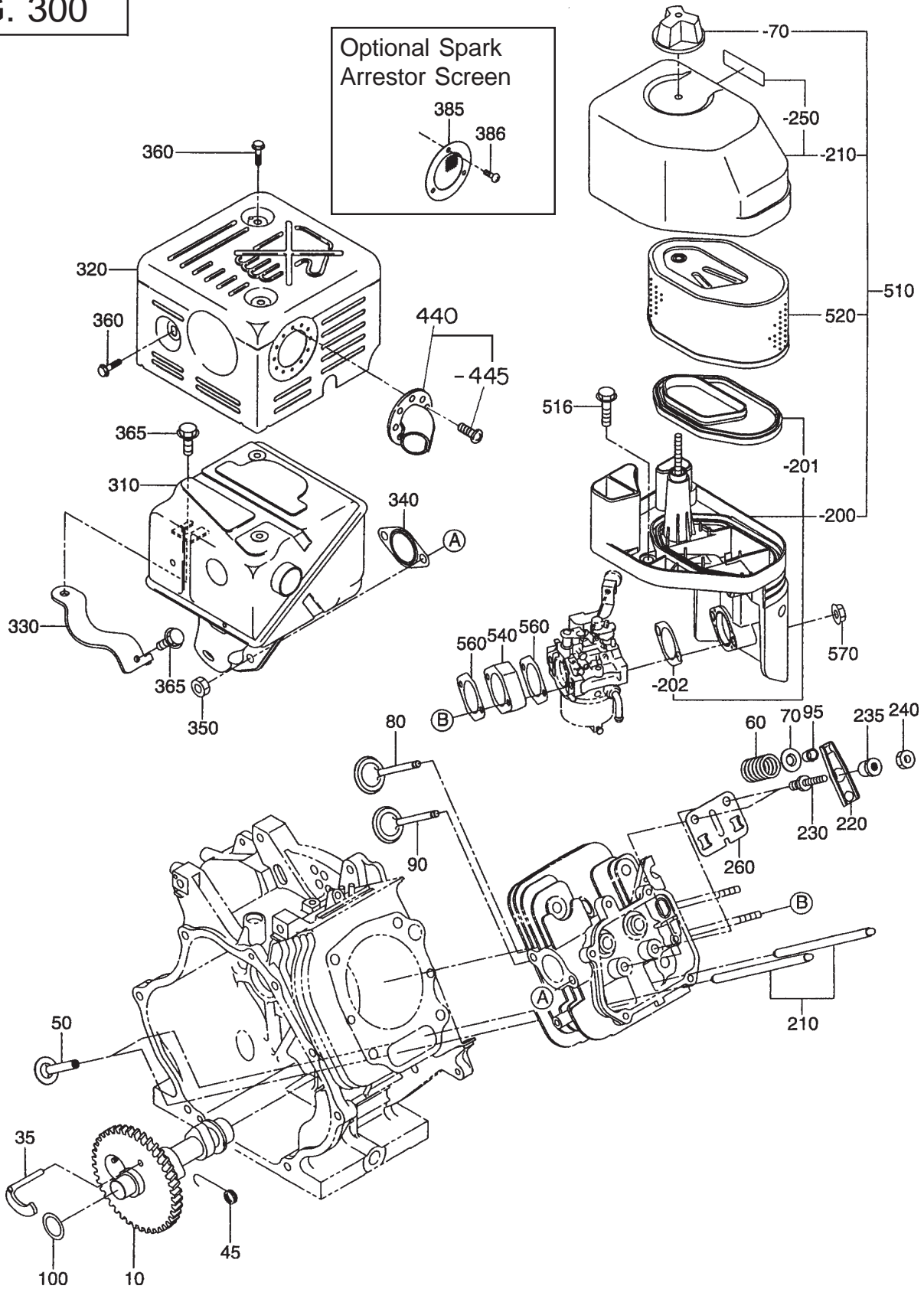






SECTION 3 INTAKE and EXHAUST GROUP

FIG. 300

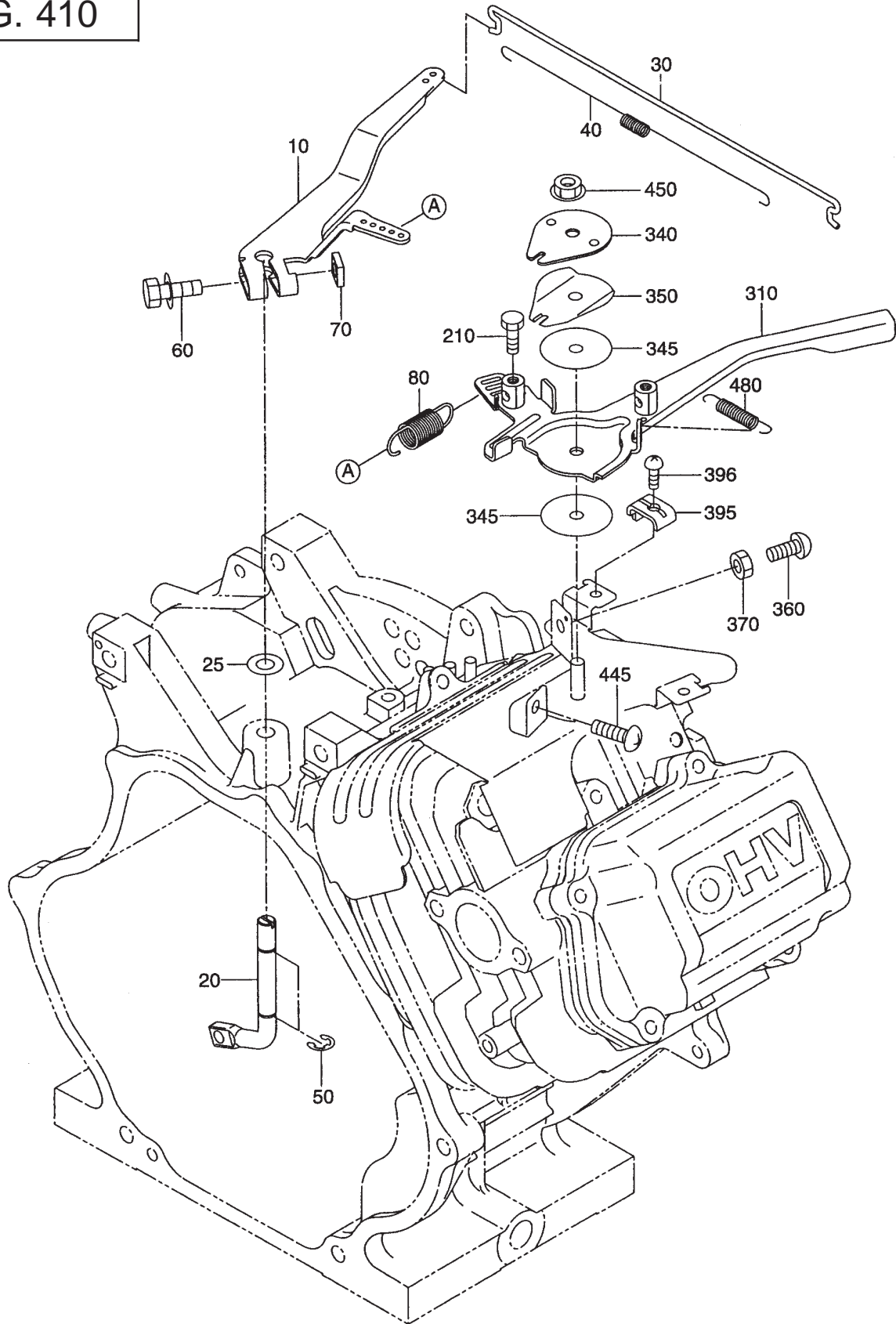


### SECTION 3 INTAKE and EXHAUST GROUP

REF.	PART NO.	DESCRIPTION	QTY.	REMARKS	FROM-TO	FIG.
10	267-31A01-01	CAMSHAFT CP	1	EH41		300
	267-31B01-01	CAMSHAFT CP	1	EH36		300
35	246-36201-11	RELEASE LEVER CP	1			300
45	246-36701-03	RETURN SPRING	1			300
50	239-33301-13	TAPPET	2			300
60	246-33611-03	VALVE SPRING	2			300
70	246-33711-03	SPRING RETAINER	2			300
80	263-33401-03	INTAKE VALVE	1			300
90	267-33501-03	EXHAUST VALVE	1			300
95	246-35501-03	COLLET, VALVE	4			300
100	023-02200-50	SPACER T=0.6	1	select 1 spacer only		300
	023-02200-60	SPACER T=0.7	1	select 1 spacer only		300
	023-02200-70	SPACER T=0.8	1	select 1 spacer only		300
210	267-35301-B1	PUSH ROD CP	2			300
220	267-36101-A3	ROCKER ARM	2			300
230	261-35801-13	BOLT, PILOT	2	i/w 261-35801-03		300
235	261-35701-B3	PIVOT	2			300
240	017-00601-10	NUT	2			300
260	267-36501-A3	GUIDE PLATE	1			300
310	267-30101-02	MUFFLER UN	1			300
320	267-34201-01	MUFFLER COVER CP	1			300
330	267-37001-01	MUFFLER BRACKET CP	1			300
340	246-35201-03	GASKET, MUFFLER	1			300
350	017-00800-30	NUT	2			300
360	015-20601-10	TAPPING SCREW	5			300
365	001-04081-60	FLANGE BOLT	2			300
385	267-37101-02	SCREEN	1	spark arrestor		300
386	015-00400-60	TAPPING SCREW	3	for spark arrestor		300
440	246-37001-07	DEFLECTOR AY	1			300
-445	015-00400-60	TAPPING SCREW	3			300
510	267-32601-10	AIR CLEANER AY	1			300
-70	227-36524-03	CAP NUT	1	i/w 227-36523-03		300
-200	267-35001-11	CLEANER BASE CP	1			300
-201	267-35004-03	PACKING	1			300
-202	270-32720-08	PACKING	1			300
-210	267-35002-11	CLEANER COVER	1			300
-250	267-35005-03	LABEL, CONTROL	1			300
516	011-00601-01	FLANGE BOLT	1			300
520	267-35003-01	CLEANER ELEMENT CP	1			300
540	267-32901-03	INSULATOR	1			300
560	267-35901-A3	GASKET, INSULATOR	2			300
570	002-38060-00	FLANGE NUT	2			300

SECTION 4 GOVERNOR GROUP

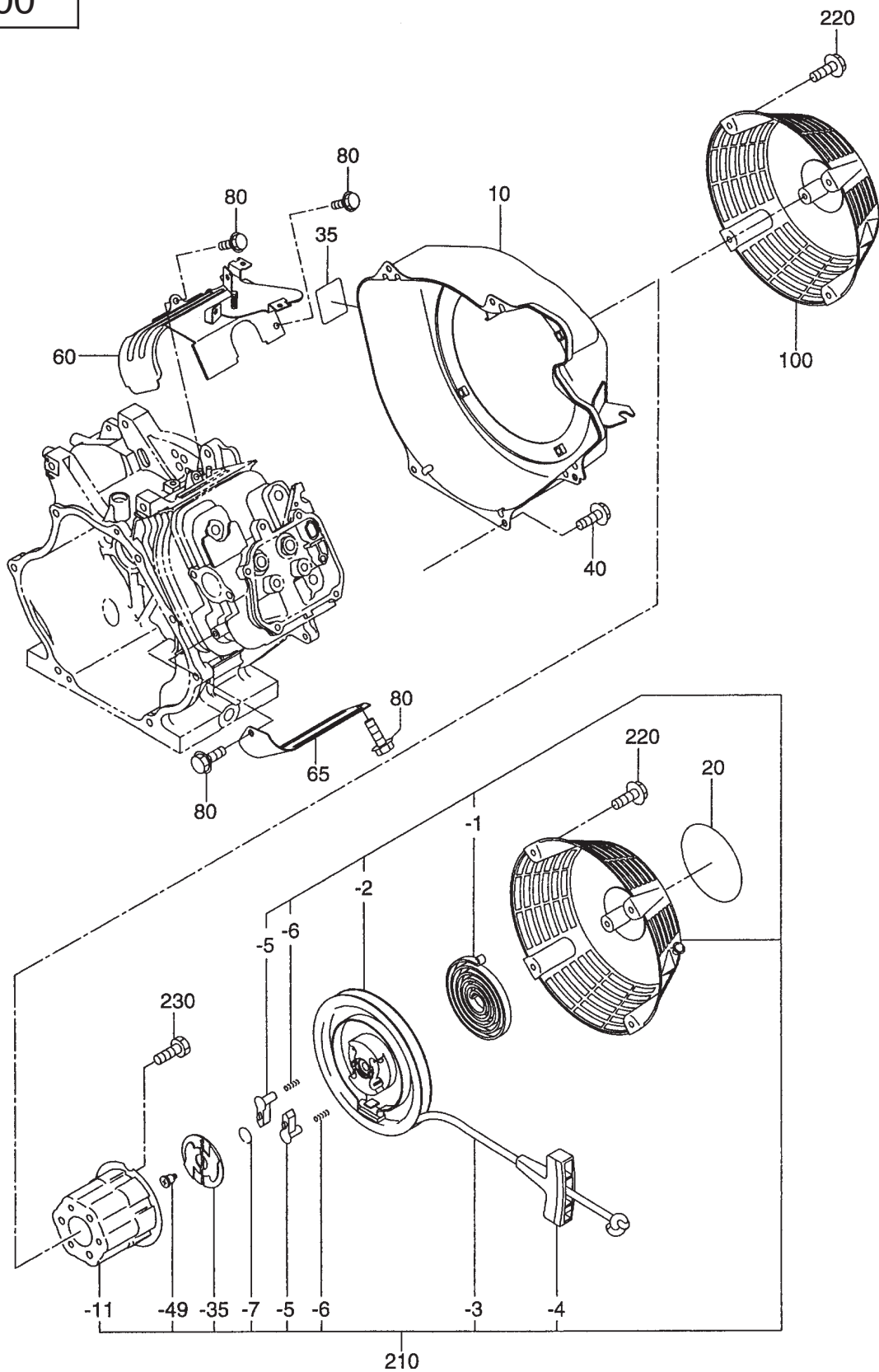
FIG. 410





SECTION 5 COOLING and STARTING GROUP

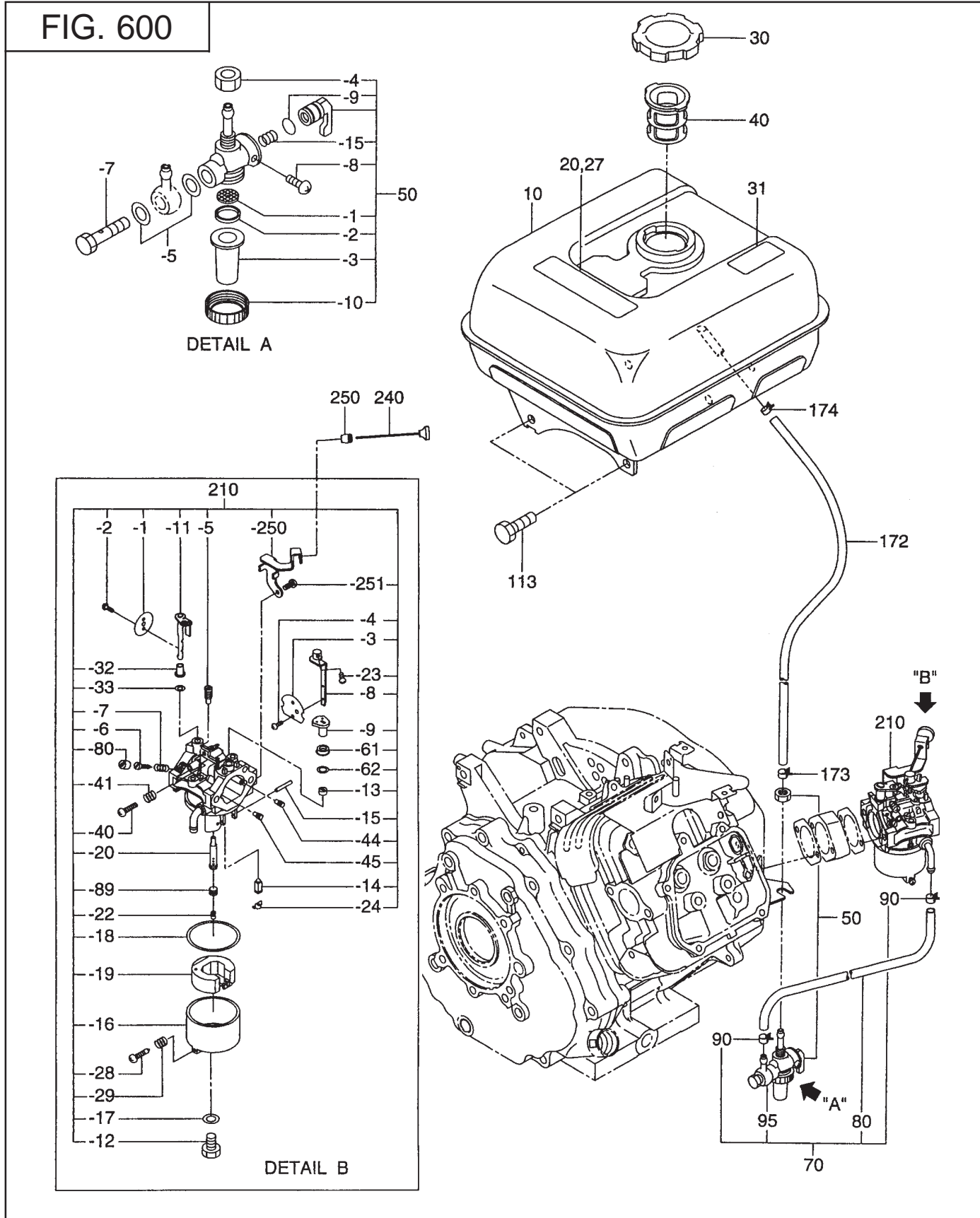
FIG. 500





SECTION 6 FUEL GROUP

FIG. 600







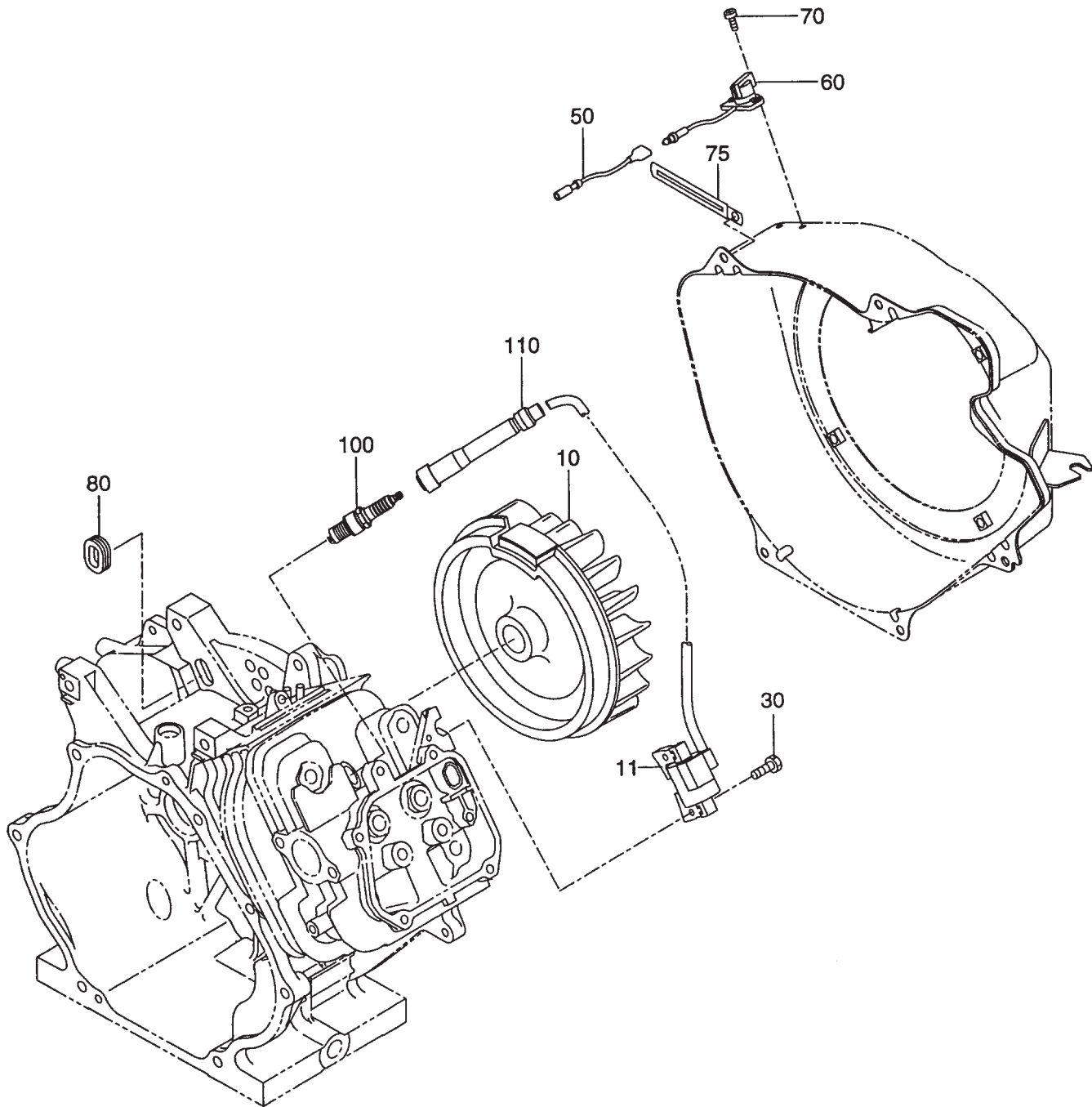


## SECTION 6 FUEL GROUP

REF.	PART NO.	DESCRIPTION	QTY.	REMARKS	FROM-TO	FIG.
210	267-62302-10	CARBURETOR AY	1	EH41		600
210	266-62302-00	CARBURETOR AY	1	EH36		600
-1	267-62535-08	THROTTLE VALVE	1	EH41		
	266-62535-08	THROTTLE VALVE	1	EH36		600
-2	209-62351-08	SCREW	2			600
-3	267-62525-08	CHOKE VALVE	1			600
-4	237-62451-08	SCREW	2			600
-5	227-62422-08	PILOT JET	1			600
-6	246-62436-08	ADJUSTER	1			600
-7	206-62446-08	SPRING	1			600
-8	267-62520-08	CHOKE LEVER	1			600
-9	239-62560-08	RING, CHOKE	1			600
-11	267-62531-08	THROTTLE SHAFT	1	EH41		600
	266-62531-08	THROTTLE SHAFT	1	EH36		600
-12	150-62358-08	BOLT	1			600
-13	226-62550-08	RING	1			600
-14	224-62312-18	NEEDLE VALVE AY	1			600
-15	214-62515-08	PIN	1			600
-16	234-62552-08	FLOAT CHAMBER BODY	1			600
-17	207-62345-08	PACKING	1			600
-18	206-62540-08	PACKING, CHAMBER	1			600
-19	234-62506-08	FLOAT AY	1			600
-20	267-62440-08	MAIN NOZZLE	1			600
-22	267-62402-08	MAIN JET	1	EH41		600
	246-62403-08	MAIN JET	1	EH36		600
-23	242-62323-08	SCREW	1			600
-24	224-62569-18	CLIP	1			600
-28	224-62452-08	SCREW	1			600
-29	209-62445-08	SPRING	1			600
-32	267-62450-08	RING	1			600
-33	106-62392-18	SEAL	1	i/w 106-62392-08		600
-40	224-62452-08	ADJUST SCREW	1			600
-41	230-62446-08	SPRING	1			600
-44	106-62411-08	AIR JET	1	EH41		600
	266-62410-08	AIR JET	1	EH36		600
-45	246-62410-08	AIR JET	1			600
-61	247-62550-08	CAP	1			600
-62	236-62680-08	SEAL	1			600
-80	246-62551-08	CAP	1			600
-89	246-62425-08	GUIDE HOLDER	1			600
-250	267-62451-08	BRACKET	1			600
-251	267-62452-08	SCREW	1			600
240	246-45006-01	KNOB CP	1			600
250	024-10200-10	GROMMET	1			600

SECTION 7A ELECTRIC DEVICE GROUP - RECOIL START

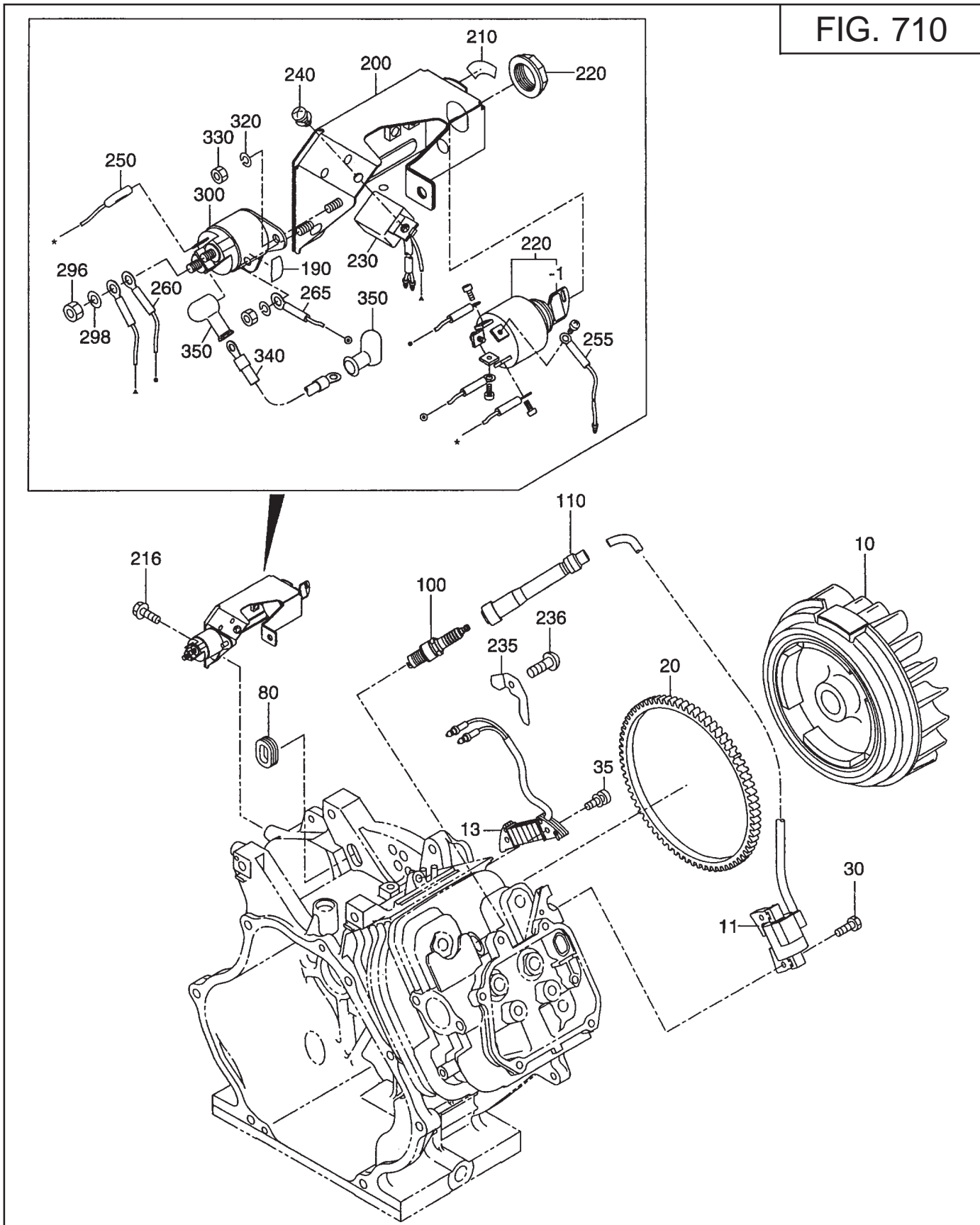
FIG. 700





SECTION 7B ELECTRIC DEVICE GROUP - ELECTRIC START

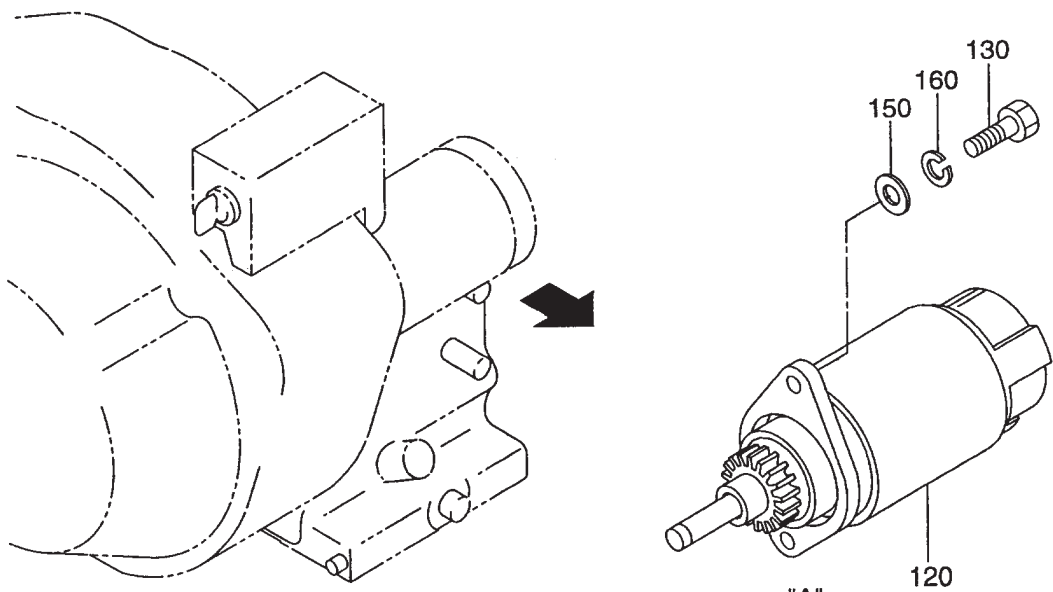
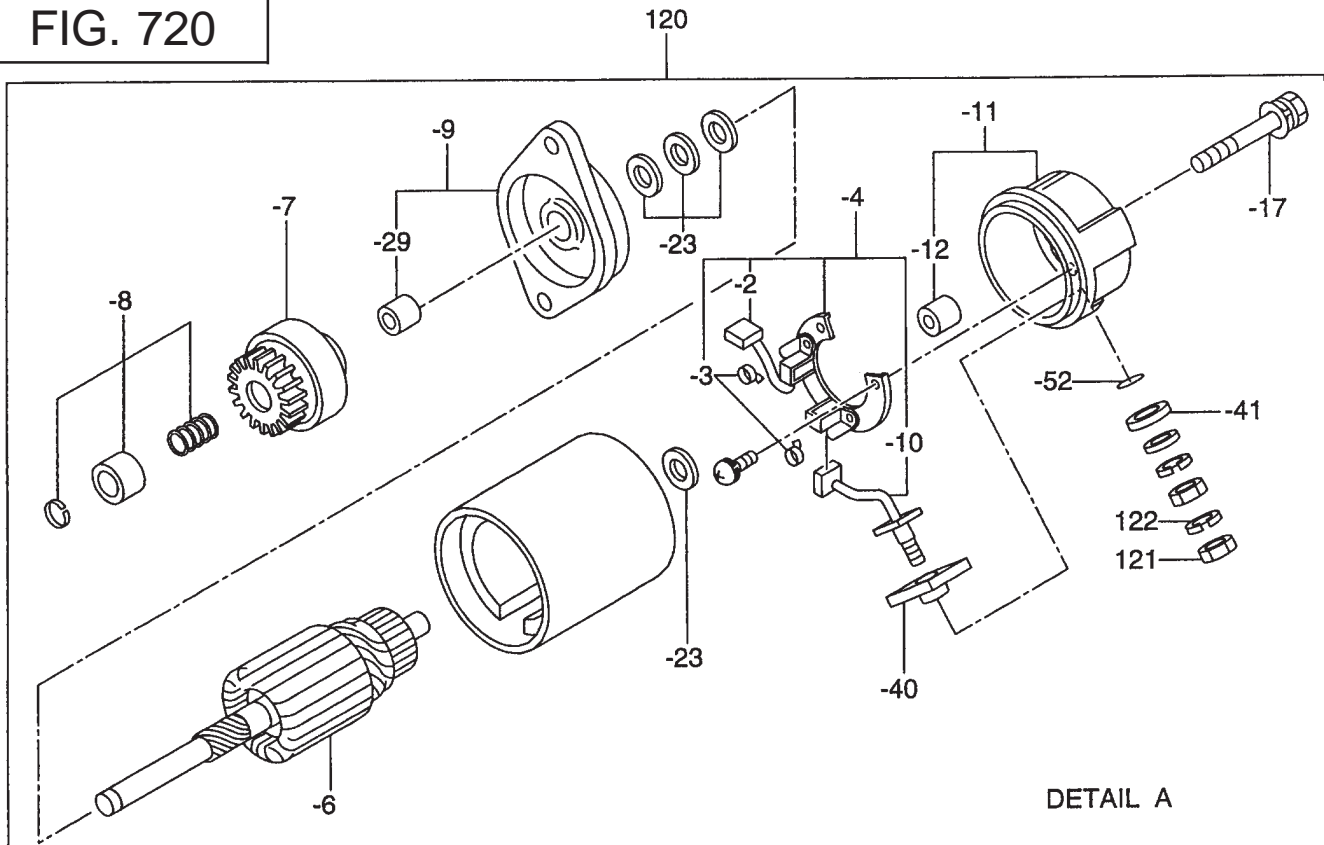
FIG. 710





SECTION 7C ELECTRIC DEVICE GROUP - ELECTRIC STARTER

FIG. 720



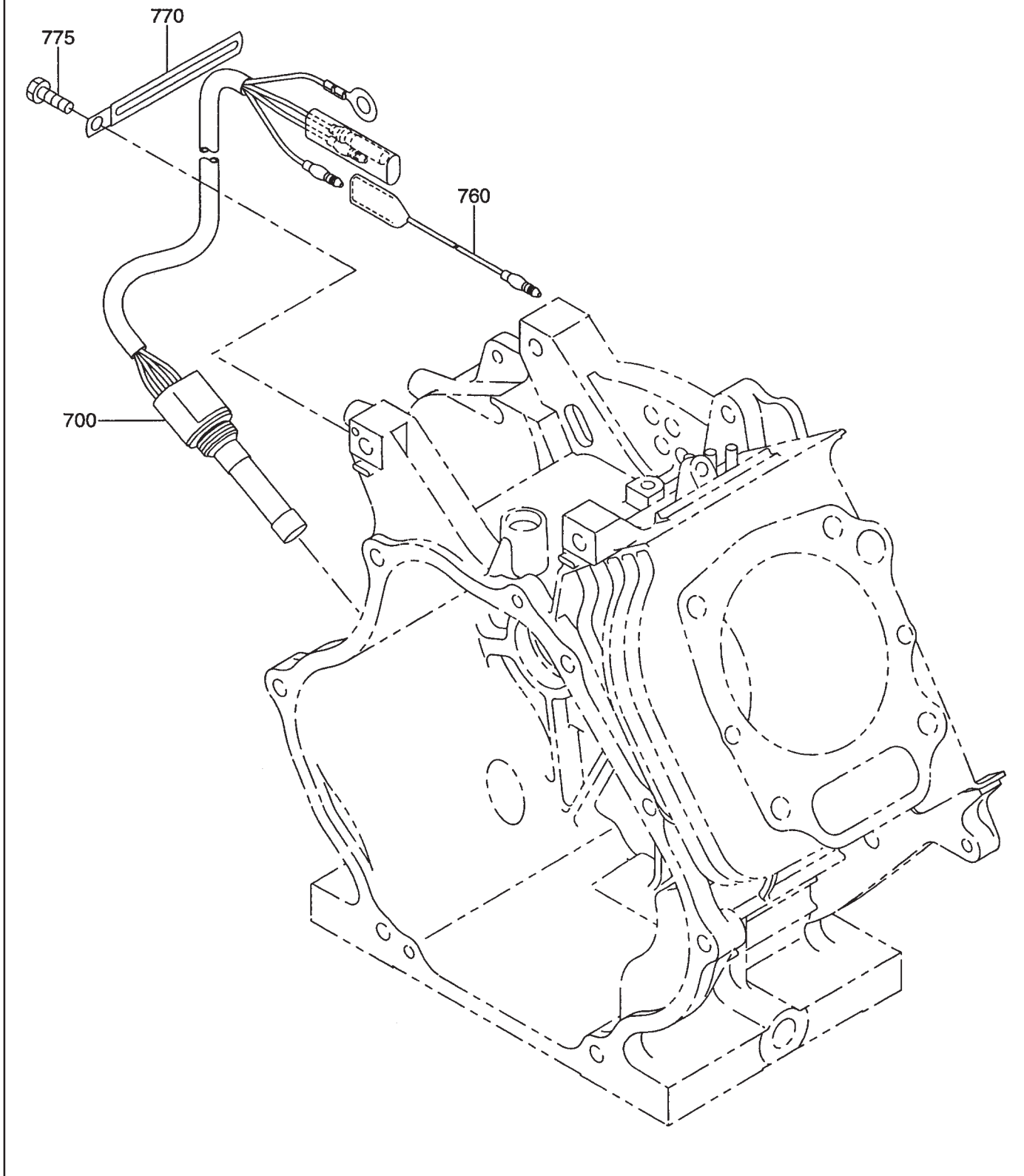
TANK SIDE VIEW





SECTION 7D ELECTRIC DEVICE GROUP - OIL SENSOR

FIG. 760





PRINTED IN THE USA